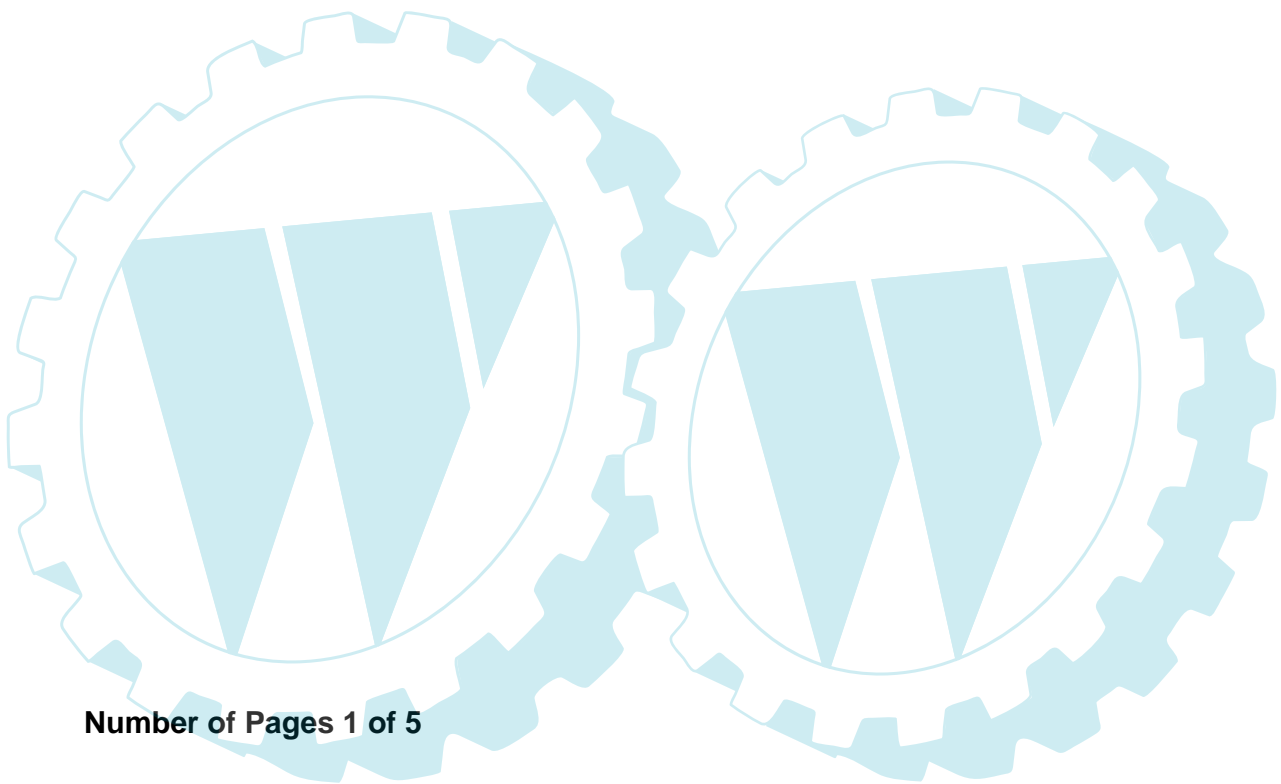


ELECTROLUX OUTDOOR PRODUCTS

| PNC | Type/Prefix/nd | Model | Brand |
|------------|-----------------------|--------------|--------------|
| 953900507 | 03 | SUPREME 300L | McCULLOCH |
| 953900511 | 03 | B 300L | PARTNER |

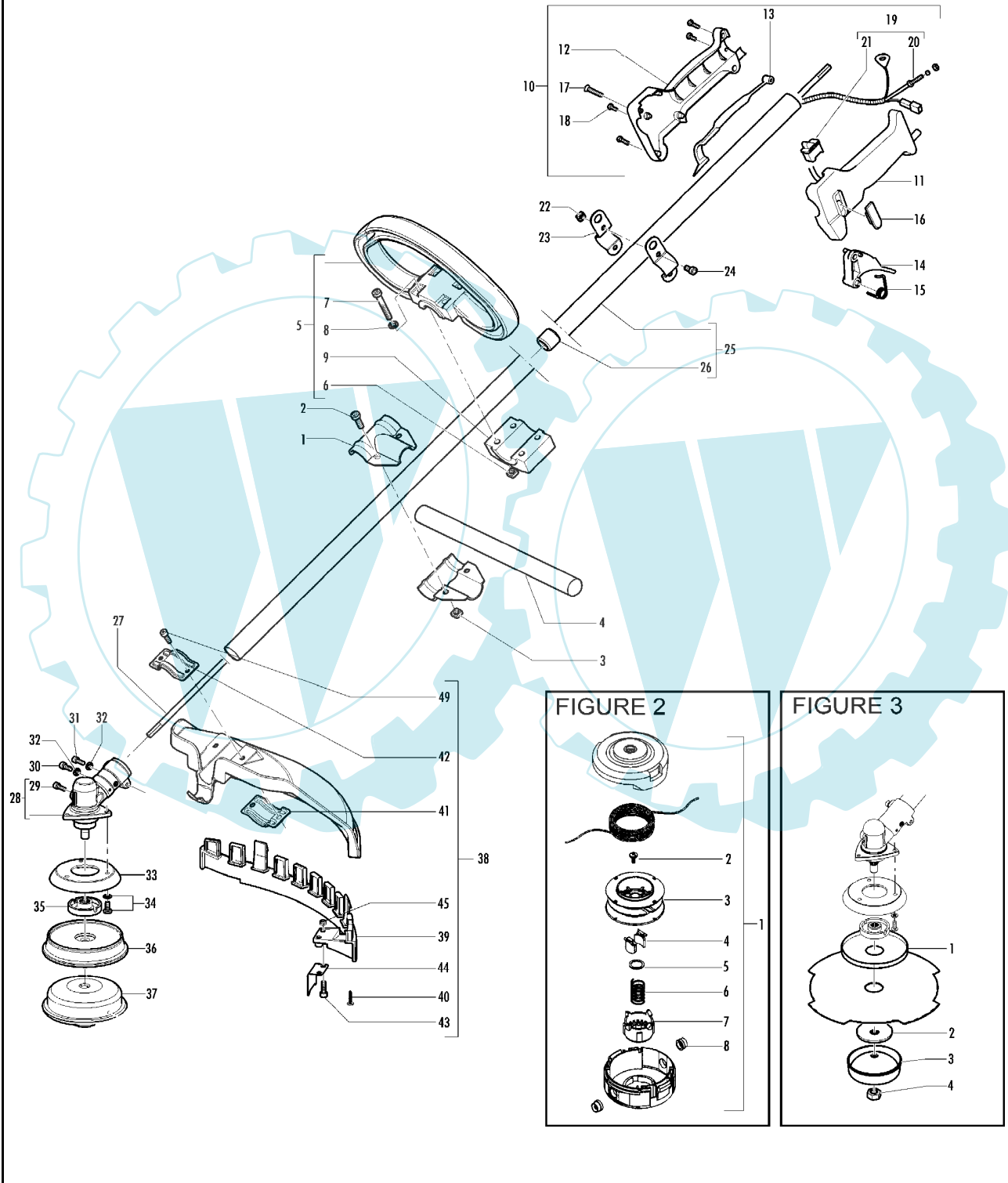


Number of Pages 1 of 5

| | |
|---|-----------------------------|
| Factory: IIQ - Valmadrera | Product Group: OP 93 |
| Publication Number: EIPL2005_VP0504015 | Petrol Portable |
| Publication Date: 20/04/05 | Sub Group 9433 |

 **The Electrolux Group. The world's No.1 choice.**

FIGURE 1



 **The Electrolux Group. The world's No.1 choice.**

| Item | P/N McC | P/N ELX | Qty | DESCRIPTION |
|------|---------|---------|-----|-------------|
|------|---------|---------|-----|-------------|

| Item | P/N McC | P/N ELX | Qty | DESCRIPTION |
|------|---------|---------|-----|-------------|
|------|---------|---------|-----|-------------|

FIGURE 1

| | | | | |
|------|-----------|-----------|---|-----------------------------|
| 1 | 228146 | 538228146 | 2 | clamp 1/2 |
| 2 | 235911 | 538235911 | 2 | screw |
| 3 | 236642 | 538236642 | 2 | nut |
| 4 | 246864 | 538246864 | 1 | protection |
| 5 | 227068 | 538227068 | 1 | delta handle ass'y |
| 6 | • 236642 | 538236642 | 4 | nut |
| 7 | • 228320 | 538228320 | 4 | screw 6x45 |
| 8 | • 236936 | 538236936 | 4 | washer |
| 9 | • 227046 | 538227046 | 1 | handle clamp |
| 10 | 242922 | 538242922 | 1 | trigger box ass'y |
| 11 | • 229837 | 538229837 | 1 | trigger box (left half) |
| 12 | • 229836 | 538229836 | 1 | trigger box (right half) |
| 13 | • 229819 | 538229819 | 1 | safety trigger |
| 14 | • 241296 | 538241296 | 1 | throttle trigger |
| 15 | • 240091 | 538240091 | 1 | trigger spring |
| 16 | • 241292 | 538241292 | 1 | handle cap |
| 17 | • 240833 | 538240833 | 4 | screw 3x20 |
| 18 | • 240618 | 538240618 | 2 | screw 3x16 |
| C 19 | • 242923 | 538242923 | 1 | wires ass'y |
| C 20 | •• 242947 | 538242947 | 1 | wire |
| C 21 | •• 236394 | 538236394 | 1 | switch |
| 22 | 236642 | 538236642 | 2 | nut M6 |
| 23 | 228152 | 538228152 | 2 | harness ring |
| 24 | 235911 | 538235911 | 2 | screw M6x12 |
| 25 | 242442 | 538242442 | 1 | shaft ass'y |
| C 26 | • 228192 | 538228192 | 5 | bushing ass'y |
| C 27 | 240486 | 538240486 | 1 | drive shaft |
| 28 | 242728 | 538242728 | 1 | gear box |
| 29 | • 240151 | 538240151 | 1 | screw M8x10 |
| 30 | 235802 | 538235802 | 1 | screw 5x14 |
| 31 | 235803 | 538235803 | 1 | screw 5x25 |
| 32 | 236529 | 538236529 | 2 | split washer |
| 33 | 242729 | 538242729 | 1 | flange adapter |
| 34 | 240688 | 538240688 | 3 | screw M5 w/washer |
| A 35 | 242815 | 538242815 | 1 | flange |
| B 36 | 242823 | 538242823 | 1 | spacer |
| A 37 | | | 1 | string head |
| B 38 | 249155 | 538249155 | 1 | guard ass'y |
| B 39 | • 242644 | 538242644 | 1 | string head guard extension |
| 40 | • 240862 | 538240862 | 1 | screw M5x14 |
| 41 | • 242752 | 538242752 | 1 | lower clamp |
| 42 | • 242629 | 538242629 | 1 | upper clamp |
| 43 | • 227563 | 538227563 | 4 | screw M5x16 |
| 44 | • 241973 | 538241973 | 1 | line cutter |
| 45 | • 229208 | 538229208 | 2 | nut |

FIGURE 2

| | | | | |
|-----|-----------|-----------|---|---------------|
| A 1 | 538249346 | 538249346 | 1 | string head |
| 2 | • 249374 | 538249374 | 1 | set screw |
| C 3 | • 249375 | 538249375 | 1 | reel |
| C 4 | • 249376 | 538249376 | 2 | ratchet |
| C 5 | • 249377 | 538249377 | 1 | washer |
| C 6 | • 249378 | 538249378 | 1 | return spring |
| C 7 | • 249379 | 538249379 | 1 | button |
| C 8 | • 249380 | 538249380 | 2 | eyelet |

FIGURE 3

| | | | | |
|-----|--------|-----------|---|-------------|
| B 1 | 241155 | 538241155 | 1 | flange |
| A 2 | 241006 | 538241006 | 1 | plate blade |
| A 3 | 236596 | 538236596 | 1 | cup |
| A 4 | 240481 | 538240481 | 1 | nut |

A=ALTA ROTAZIONE
B=MEDIA ROTAZIONE
C=ALTA ROTAZIONE
NUOVI CODICI

A=HIGH MOVING
B=MEDIUM MOVING
C=SLOW MOVING
NEW P. NUMBERS

A=HAUTE DEMANDE
B=MOYENNE DEMANDE
C=BASSE DEMANDE
NOUVELLES REFERENCES

A=GROBE NACHFRAGE
B=MITTELMAESSIGE
C=WENIGE NACHFRAGE
NEU CODEX

FIGURE 4

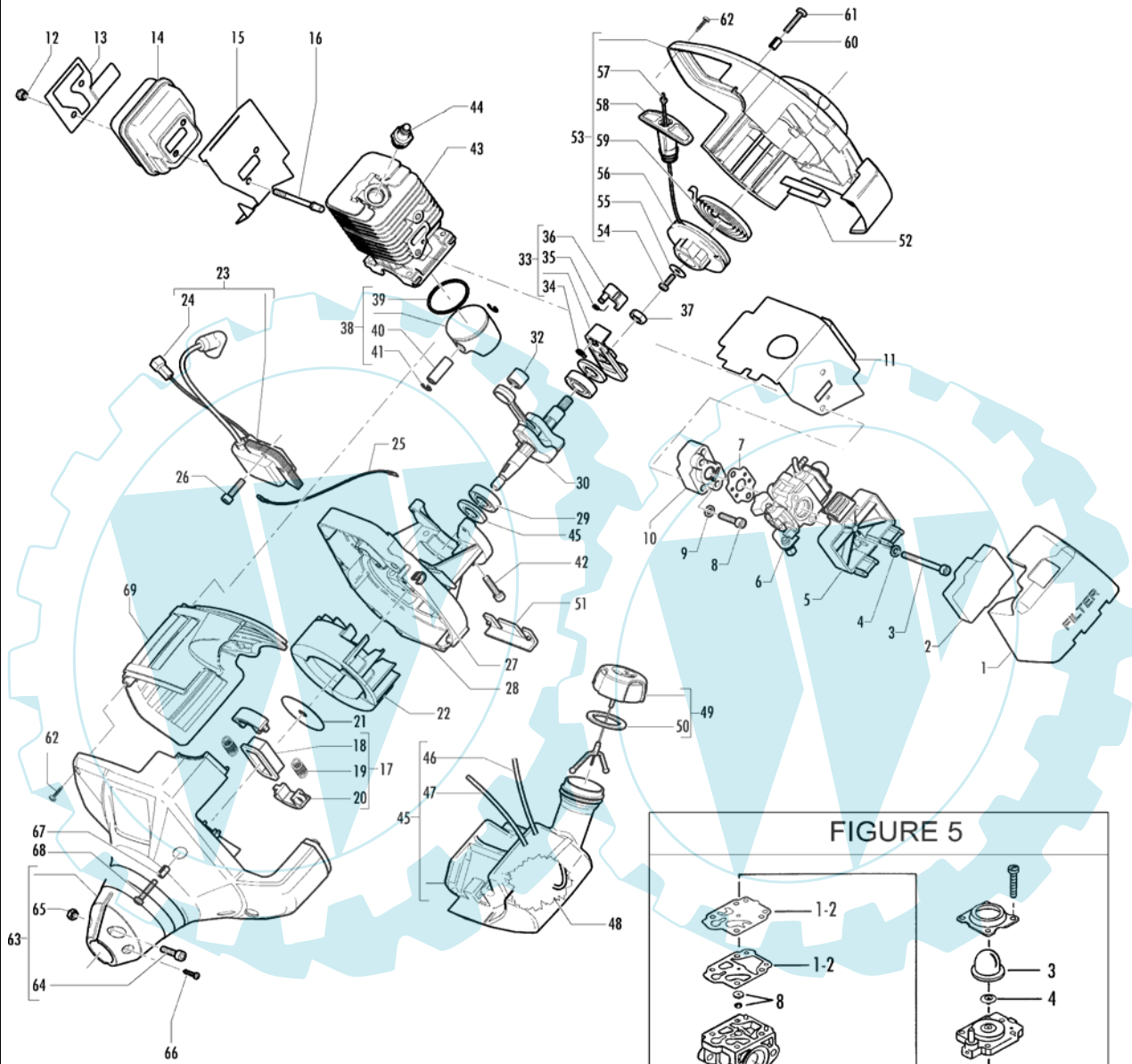
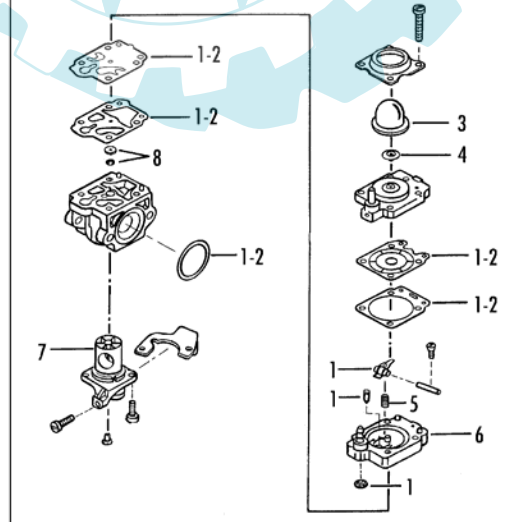


FIGURE 5



 **The Electrolux Group. The world's No.1 choice.**

| Item | P/N McC | P/N ELX | Qty | DESCRIPTION | Item | P/N McC | P/N ELX | Qty | DESCRIPTION |
|-----------------|----------|-----------|-----|---------------------|-------------------------------|----------|-----------|-----|--------------------|
| FIGURE 4 | | | | | FIGURE 5 | | | | |
| C 1 | 242848 | 538242848 | 1 | filter cover | C 45 | 242889 | 538242889 | 1 | fuel tank ass'y |
| A 2 | 242888 | 538242888 | 1 | air filter | B 46 | • 229789 | 538229789 | 1 | hose |
| 3 | 235808 | 538235808 | 2 | screw M5x50 | B 47 | • 242527 | 538242527 | 1 | primer bulb hose |
| 4 | 235248 | 538235248 | 2 | washer M5 | A 48 | 93720 | 538093720 | 1 | fuel pickup |
| C 5 | 242847 | 538242847 | 1 | filter housing | B 49 | 242484 | 538242484 | 1 | fuel cap ass'y |
| C 6 | | | 1 | carburettor | B 50 | • 236564 | 538236564 | 1 | cap seal |
| A 7 | 242851 | 538242851 | 1 | spacer gasket | 51 | 242038 | 538242038 | 1 | tank grommet |
| 8 | 242173 | 538242173 | 2 | screw M5x30 | 52 | 242039 | 538242039 | 1 | tank grommet |
| 9 | 235248 | 538235248 | 2 | washer M5 | C 53 | 242886 | 538242886 | 1 | starter ass'y |
| C 10 | 242849 | 538242849 | 1 | spacer | 54 | • 241077 | 538241077 | 1 | screw 4x14 |
| B 11 | 242860 | 538242860 | 1 | cylinder gasket | 55 | • 241703 | 538241703 | 1 | washer |
| 12 | 235642 | 538235642 | 2 | nut M5 | B 56 | • 241620 | 538241620 | 1 | starter pulley |
| 13 | 242962 | 538242962 | 1 | muffler shield | A 57 | • 241746 | 538241746 | 1 | starter rope |
| C 14 | 242131 | 538242131 | 1 | muffler | 58 | • 242852 | 538242852 | 1 | starter handle |
| B 15 | 242859 | 538242859 | 1 | muffler gasket | B 59 | • 241619 | 538241619 | 1 | starter spring |
| 16 | 242037 | 538242037 | 2 | muffler stud bolt | 60 | 228260 | 538228260 | 3 | bushing |
| B 17 | 241793 | 538241793 | 1 | clutch ass'y | 61 | 241963 | 538241963 | 3 | screw M4x22 |
| 18 | • 241789 | 538241789 | 1 | clutch hub | 62 | 240862 | 538240862 | 3 | screw 4x18 |
| A 19 | • 241794 | 538241794 | 2 | spring | C 63 | 242887 | 538242887 | 1 | joint ass'y |
| 20 | • 241743 | 538241743 | 2 | clutch shoe | 64 | • 235806 | 538235806 | 1 | screw 5x20 |
| 21 | 241604 | 538241604 | 1 | clutch dust shield | 65 | • 235216 | 538235216 | 1 | nut |
| 22 | 243311 | 538243311 | 1 | flywheel | 66 | 229632 | 538229632 | 1 | screw 3.5x13 |
| C 23 | 249727 | 538249727 | 1 | ignition coil ass'y | 67 | 241617 | 538241617 | 4 | bushing |
| 24 | • 242959 | 538242959 | 1 | switch wire | 68 | 241963 | 538241963 | 4 | screw 4x22 |
| 25 | 242891 | 538242891 | 1 | ground wire | 69 | 242845 | 538242845 | 1 | engine cover |
| 26 | 235806 | 538235806 | 2 | screw M5x20 | FIGURE 5 WALBRO WYJ358 | | | | |
| 27 | 242895 | 538242895 | 1 | wires protection | B | 242885 | 538242885 | 1 | carburetor WYJ538 |
| 28 | 242802 | 538242802 | 1 | engine crankcase | A 1 | • 247955 | 538247955 | 1 | repair kit K20 WYJ |
| C 29 | 241594 | 538241594 | 2 | bearing | C 2 | • 247956 | 538247956 | 1 | repair kit K10 WYJ |
| 30 | 243486 | 538243486 | 1 | crankshaft ass'y | C 3 | • 225834 | 538225834 | 1 | primer |
| C 32 | 235742 | 538235742 | 1 | needle bearing | C 4 | • 247957 | 538247957 | 1 | valve |
| C 33 | 241784 | 538241784 | 1 | starter pawl ass'y | C 5 | • 247958 | 538247958 | 1 | spring |
| 34 | • 111088 | 538111088 | 1 | snap ring | C 6 | • 249419 | 538249419 | 1 | pumping body |
| 35 | • 241782 | 538241782 | 1 | spring | C 7 | • 249418 | 538249418 | 1 | valve |
| 36 | • 241781 | 538241781 | 1 | pawl | C 8 | • 249417 | 538249417 | 1 | jet |
| 37 | 241624 | 538241624 | 1 | nut M8 | | | | | |
| C 38 | 249179 | 538249179 | 1 | piston kit | | | | | |
| B 39 | • 242602 | 538242602 | 1 | piston ring | | | | | |
| 40 | • 241735 | 538241735 | 1 | piston pin | | | | | |
| 41 | • 235008 | 538235008 | 2 | snap ring | | | | | |
| 42 | 235803 | 538235803 | 4 | screw M5x25 | | | | | |
| C 43 | 243076 | 538243076 | 1 | cylinder | | | | | |
| A 44 | 322208 | 538322208 | 1 | RDJ6J spark plug | | | | | |
| C 45 | 242994 | 538242994 | 2 | seals | | | | | |

A=ALTA ROTAZIONE
B=MEDIA ROTAZIONE
C=ALTA ROTAZIONE
NUOVI CODICI

A=HIGH MOVING
B=MEDIUM MOVING
C=SLOW MOVING
NEW P. NUMBERS

A=HAUTE DEMANDE
B=MOYENNE DEMANDE
C=BASSE DEMANDE
NOUVELLES REFERENCES

A=GROBE NACHFRAGE
B=MITTELMAESSIGE
C=WENIGE NACHFRAGE
NEU CODEX

 **The Electrolux Group. The world's No.1 choice.**